

SIMBOLIZARE : RICIS-20-IV-70-CT-150

**RICIS** : Recomplast Izolator Compozit Intindere si Sustinere  
*Recomplast suspension composite insulator*

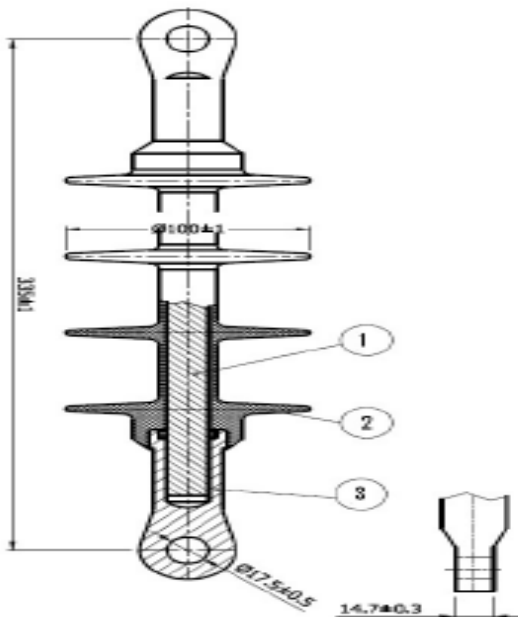
- 20** : tensiunea nominala de linie (kVef)  
*nominal system voltage*
- IV** : zona de poluare conform CEI 815/1993  
*pollution level*
- 70** : sarcina mecanica specifica [KN]  
*Specified mechanical load (SML)*
- CT** : tipul asamblarii de capat  
*End fittings*
- 150** : tensiunea de tinere la impuls de trasnet (STA);



**NORMATIVE DE REFERINTA:**  
CEI 1109, ST 5/1999-Electrica SA

**MOD DE COMANDARE :**

RICIS - IV - 70



Nr crt	CARACTERISTICA / TEHNICAL DATA	U.M. M.U.	VALOARE VALUE		
1	Tensiunea nominala a retelei <i>Rated system voltage</i>	kVef	20		
2	Tensiunea maxima a retelei <i>Maximum system voltage</i>	kVef	24		
3	Frecventa nominala <i>Rated frequency</i>	Hz	50		
4	Tensiunea de tinere 50 Hz 1 minut sub ploaie <i>Wet power frequency withstand</i>	kVef	50		
5	Tensiunea de tinere 50% conturnari la impuls 1,2/50 µs in stare uscata.(val de virf) <i>50 % dry lightning impulse flashover voltage</i>	Kv max	160		
6	Tensiunea de tinere la impuls de trasnet 1,2/50 µs in stare uscata (val.de virf) <i>Dry lightning impulse withstand nominal voltage, wave 1,2/50 µs – peak value</i>	Kv max	150		
7	Zona de poluare <i>Pollution level</i>		I - II	III	IV
8	Lungimea liniei de fuga <i>Creepage distance</i>	mm	480	658	750
9	Numar de rile <i>Number of sheds</i>		4	5	6
10	Lungime izolator intre punctele de prindere <i>Lenght (between fixing points)</i>	mm	333	384	435
11	Sarcina mecanica specificata (SMS) <i>Specified mechanical load (SML)</i>	kN	70		
12	Sarcina mecanica individuala (SMI)** <i>Routine test load (RTL)</i>	kN	35**		
13	Masa izolator <i>Weight</i>	kg	1.12	1.22	1.33
14	Ambalare – cutii de carton <i>Packing in carton boxes</i>	Buc/cutie Pcs/box	1		
15	Durata de viata nomata <i>Rated life time</i>	ani years	30		

Poz Item	Denumire reper / Description	Cant Quantity (buc/pcs)
1	Tija	1
2	Rile	4 / 5 / 6
3	Capete terminale	2

(\*\*) se poate efectua, pe baza unei înțelegeri între producător și client, încercarea la 70% SMS

SIMBOLIZARE : RICS-20-II-10- CBA

MOD DE COMANDARE :  
RICS-20-II-10- CBA-35 /120

**RICS** : Replast Izolator Compozit Suport  
*Replast composite line post insulator*

**20** : Tensiunea nominala de linie (kVef)  
*Nominal system voltage*

**II** : Zona de poluare  
*Polution level*

**10** : sarcina mecanica specifica de rupere la incovoiere- SCL [KN]  
*Specified cantilever load (SCL)*

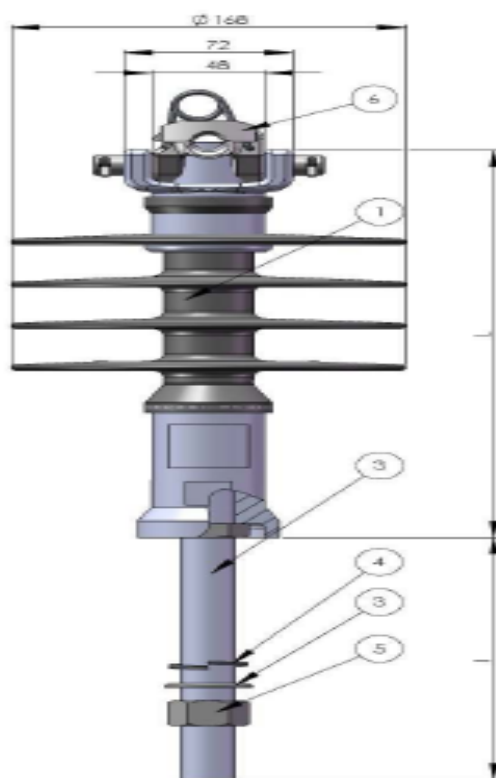
**CBA** : Clema Basculanta cu Arc, cu retinerea controlata a conductorului  
*Rocking arc clamp*

unde  
**35** : Sectiunea conductorului de retea (mm<sup>2</sup>)  
*Conductor size*

**120** : lungimea boltului de prindere la consola  
*mounting bolt's length*



**NORMATIVE DE REFERINTA:**  
CEI 61952, ST 5/1999-Electrica SA



Poz Item	Denumire reper / Description	Cantitate Quantity (buc/pcs)
1	Izolator / Insulator	1
2	Prezon M20/ M20 mounting bolt	1
3	Saiba plata A20 / A20 washer	1
4	Saiba grower N20 / N20 Spring washer	1
5	Piulita M20/ M20 nut	1
6	Clema basculanta / Rocking arc clamp	1

Nr crt	CARACTERISTICA / TECHNICAL DATA	U.M. M.U.	VALOARE VALUE		
1	Tensiunea nominala a retelei <i>Rated system voltage</i>	kVef	20		
2	Tensiunea maxima a retelei <i>Maximum system voltage</i>	kVef	24		
3	Frecventa nominala <i>Rated frequency</i>	Hz	50		
4	Tensiunea de tinere, 50 Hz, 1 min, uscat, sub ploaie <i>Wet power frequency withstand</i>	kVef	50		
5	Tensiunea de tinere la impuls de trazenet 1,2/50 µs in stare uscata <i>Dry lightning impulse withstand voltage</i>	Kv max	125		
6	Tensiunea de tinere 50% contumari la impuls 1,2/50 µs in stare uscata.(val de virf) <i>50 % dry lightning impulse flashover voltage</i>	Kv max	125-160		
7	Zona de poluare <i>Polution level</i>		II	III	IV
8	Lungimea liniei de fuga <i>Creepage distance</i>	mm	480	658	750
9	Numar de rile <i>Number of sheds</i>		3	4	5
10	Sarcina mecanica specifica la incovoiere (SLC) <i>Specified cantilever load (SCL)</i>	kN	10		
11	Lungime izolator ( L ) <i>Insulator length</i>	mm	298	329	360
12	Lungimea prezonului de prindere pe consola (L) <i>Mounting bolt's length</i>	mm	120 / 210*		
13	Gama de sectiuni conductor OI-AI <i>Section range of the steel-aluminium conductors</i>	mm <sup>2</sup>	35 ÷ 120		
14	Masa izolator <i>Weight</i>	kg	2.65	2.83	3.03
15	Masa prezon <i>Weight</i>	kg	0.43 / 0.62		
16	Ambalare – cutii de carton <i>Packing in carton boxes</i>	Buc/cutie <i>Pcs/box</i>	1		
17	Durata de viata normata <i>Rated life time</i>	ani <i>years</i>	30		

\*la cerere putem executa orice dimensiune de prezon dorita

# RICS-CC IZOLATOR COMPOZIT SUPORT CU CLEMA "C" PENTRU LEA 20 kV COMPOSITE LINE POST INSULATOR WITH "C" CLAMP



**SIMBOLIZARE : RICS-CC -24-II**

**RICS** : Recomplast Izolator Compozit Suport  
*Recomplast composite line post insulator*

**CC** : cu clema tip C  
*with "C" clamp*

**24** : tensiunea maxima de linie( kVef)  
*maximum system voltage*

**II** : zona de poluare conform CEI  
815/1993  
*pollution level*

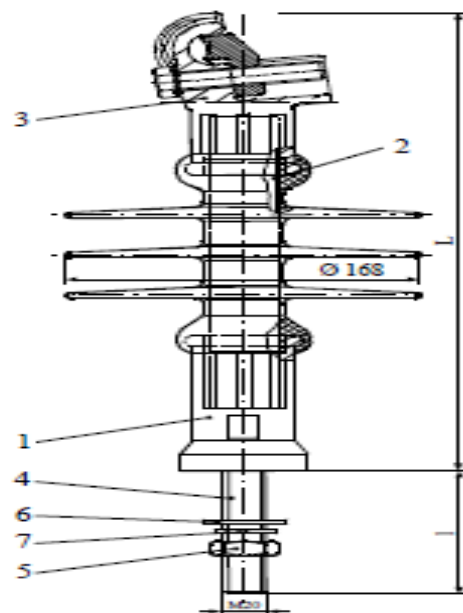
**120** : lungimea boltului de prindere la  
consola  
*mounting bolt's length*

**MOD DE COMANDARE :**  
**RICS-CC-II /120**

**120** : lungimea boltului de prindere la consola  
*mounting bolt's length*

## NORMATIVE DE REFERINTA:

CEI 61952, ST 5/1999-Electrica SA



Poz.	Denumire reper / Component	Buc. / Pcs.
1	Capa fixare	1
2	Tija / Insulator	1
3	Clema C / "C" Clamp	1
4	Prezon / Mounting bolt	1
5	Piulita hexagonala M20 Hexagon nut	1
6	Saiba plata A20 / Plain washer	1
7	Saiba Grower N20 / Spring washer	1

Nr crt	CARACTERISTICA / TECHNICAL DATA	U.M. M.U.	VALOARE VALUE		
1	Tensiunea nominala a retelei <i>Rated system voltage</i>	kVef	20		
2	Tensiunea maxima a retelei <i>Maximum system voltage</i>	kVef	24		
3	Frecventa nominala <i>Rated frequency</i>	Hz	50		
4	Tensiunea de tinere, 50 Hz, 1 min, uscat, sub ploaie / <i>Wet power frequency withstand</i>	kVef	50		
5	Tensiunea de tinere la impuls de traznet 1,2/50 $\mu$ s in stare uscata <i>dry lightning impulse withstand voltage</i>	Kv max	125		
6	Tensiunea de tinere 50% contumari la impuls 1,2/50 $\mu$ s in stare uscata.(val de virf) <i>50 % dry lightning impulse flashover voltage</i>	Kv max	125-160		
7	Zona de poluare <i>Pollution level</i>		II	III	IV
8	Lungimea liniei de fuga <i>Creepage distance</i>	mm	480	658	750
9	Numar de rile <i>Number of sheds</i>		3	4	5
10	Sarcina de tractiune specificata (STL) <i>Specified tensile load</i>	kN	20		
11	Sarcina maxima de incovoiere in exploatare (MDCL) / <i>Maximum design cantilever load</i>	kN	6		
12	Sarcina mecanica specifica la incovoiere (SLC) / <i>Specified cantilever load (SCL)</i>	kN	10		
13	Lungime izolator ( L ) <i>Insulator length</i>	mm	290	321	352
14	Lungimea prezonului de prindere pe consola (l) / <i>Mounting bolt's length</i>	mm	120 / 240*		
15	Gama de sectiuni conductor OI-AI <i>Section range of the steel-aluminium conductors</i>	mm <sup>2</sup>	35 ÷ 120		
16	Masa izolator <i>Weight</i>	kg	2.53	2.67	2.82
17	Masa prezon <i>Weight</i>	kg	0.43 / 0.62		
18	Ambalare – cutii de carton <i>Packing in carton boxes</i>	Buc/cutie Pcs/box	1		
19	Durata de viata nomata <i>Rated life time</i>	ani years	30		

\*la cerere putem executa orice dimensiune de prezon dorita.

# RICS-A IZOLATOR COMPOZIT SUPTOR PENTRU APARATAJ ELECTRIC COMPOSITE STATION POST INSULATOR



**SIMBOLIZARE : RICS-A -24-II**

**RICS** : Recomplast Izolator Compozit Suport  
*Recomplast composite station post insulator*

**A** : pentru aparataj electric  
*for electrical equipment*

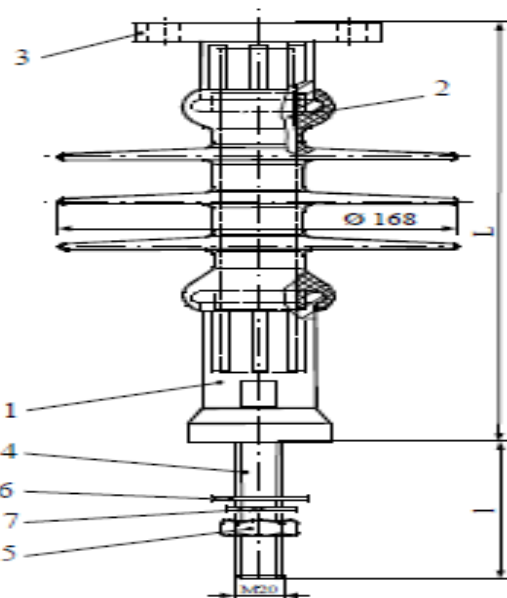
**24** : tensiunea maxima de linie( kVef)  
*maximum system voltage*

**II** : zona de poluare conform CEI  
815/1993  
*pollution level*

**MOD DE COMANDARE :**  
RICS-20-II-10- A / 120

unde  
**10** : Sarcina mecanica specificata (SLC)  
**120** : lungimea boltului de prindere la consola  
*mounting bolt's length*

**NORMATIVE DE REFERINTA:**  
CEI 61952, ST 5/1999-Electrica SA



Nr crt	CARACTERISTICA / TECHNICAL DATA	U.M. M.U.	VALOARE VALUE		
1	Tensiunea nominala a retelei <i>Rated system voltage</i>	kVef	20		
2	Tensiunea maxima a retelei <i>Maximum system voltage</i>	kVef	24		
3	Frecventa nominala <i>Rated frequency</i>	Hz	50		
4	Tensiunea de tinere, 50 Hz, 1 min, uscat, sub ploaie / <i>Wet power frequency withstand</i>	kVef	50		
5	Tensiunea de tinere la impuls de traznet 1,2/50 $\mu$ s in stare uscata <i>Dry lightning impulse withstand voltage</i>	Kv max	125		
6	Tensiunea de tinere 50% contumari la impuls 1,2/50 $\mu$ s in stare uscata.(val de virf) <i>50 % dry lightning impulse flashover voltage</i>	Kv max	125-160		
7	Zona de poluare <i>Pollution level</i>		II	III	IV
8	Lungimea liniei de fuga <i>Creepage distance</i>	mm	480	658	750
9	Numar de rile <i>Number of sheds</i>		3	4	5
10	Sarcina de tractiune specificata (STL) <i>Specified tensile load</i>	kN	20		
11	Sarcina maxima de incovoiere in exploatare (MDCL) / <i>Maximum design cantilever load</i>	kN	6		
12	Sarcina mecanica specifica la incovoiere (SLC) <i>Specified cantilever load (SCL)</i>	kN	10		
13	Lungime izolator ( L ) <i>Insulator length</i>	mm	276	307	338
14	Lungimea prezonului de prindere pe consola (I) <i>Mounting bolt's length</i>	mm	120 / 240*		
15	Gama de sectiuni conductor OI-AI <i>Section range of the steel-aluminium conductors</i>	mm <sup>2</sup>	35 ÷ 120		
16	Masa izolator <i>Weight</i>	kg	2.53	2.67	2.82
17	Masa prezon <i>Weight</i>	kg	0.43 / 0.62		
18	Ambalare – cutii de carton <i>Packing in carton boxes</i>	Buc/cutie <i>Pcs/box</i>	1		
19	Durata de viata nomata <i>Rated life time</i>	ani <i>years</i>	30		

Poz.	Denumire reper / <i>Component</i>	Buc. / <i>Pcs.</i>
1	Capa fixare	1
2	Tija / <i>Insulator</i>	1
3	Capa aparataj	1
4	Prezon / <i>Mounting bolt</i>	1
5	Piulita hexagonala M20 <i>Hexagon nut</i>	1
6	Saiba plata A20 / <i>Plain washer</i>	1
7	Saiba Grower N20 / <i>Spring washer</i>	1

\*la cerere putem executa orice dimensiune de prezon dorita.